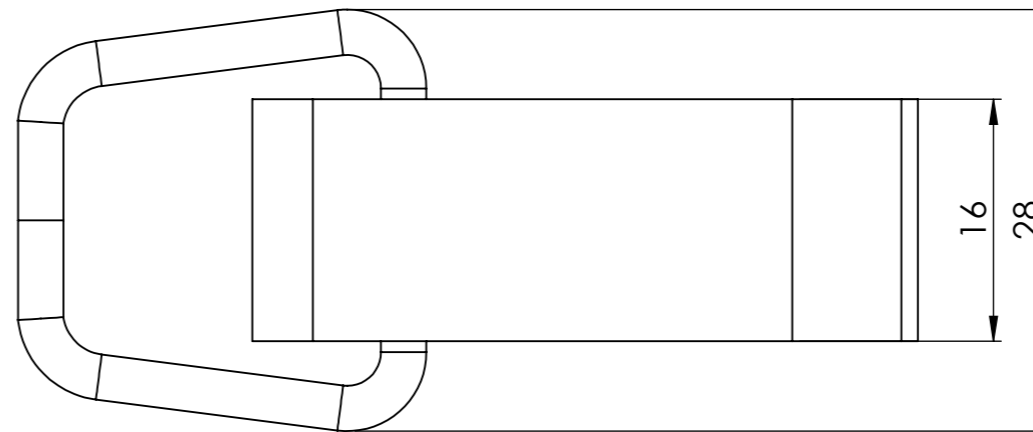
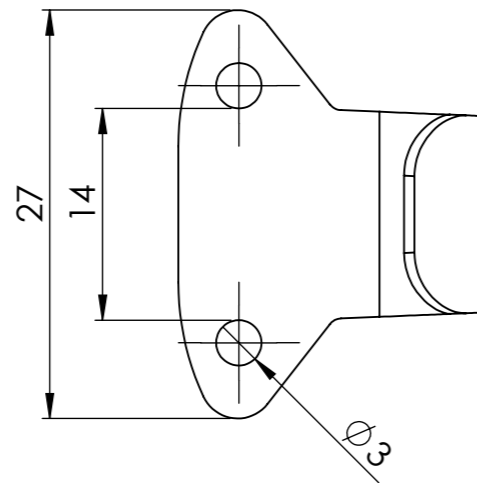
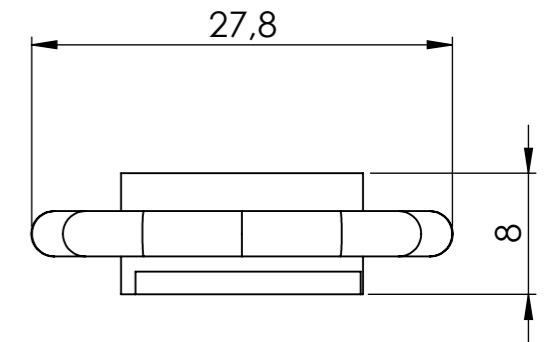
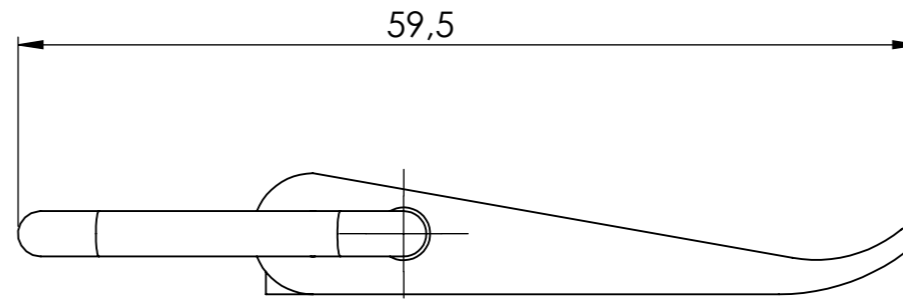
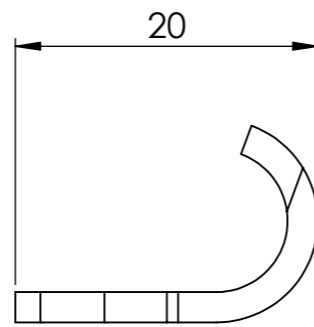
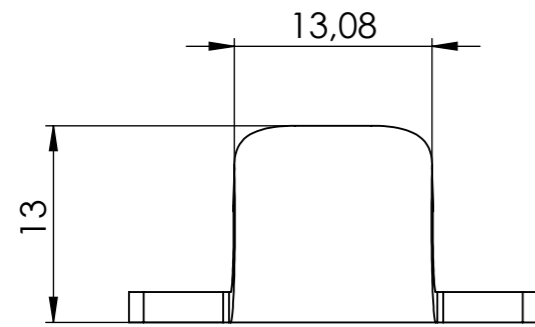
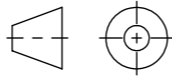



All property rights and rights to exploitation of copyright for this drawing data remain ours; they may not be made available to third parties without our consent.



Index	Change			Date	Name	
 DIN ISO 128-30	<b>Description:</b> Spannschloß/Teil 1				Weight: kg	
	<b>Surface:</b>		<b>Material:</b>			
 Transforming furniture	<b>Name</b>	<b>Date</b>	<b>Company</b>			
	<b>Signed</b>	G. Guzy	02.03.2022	Second Company:		
	<b>Tested</b>					
General tolerance: DIN ISO 2768 - m		Item No: <b>15968</b>	Scale 2:1	Page 1/1	<b>A3</b>	